

DATA SHEET

SFP-25G-CWXX-LR-C-GEN

25Gb/s SFP28 CWDM 10km Transceiver

SFP-25G-CWXX-LR-C-GEN Overview

SFP-25G-CWXX-LR-C-GEN optical transceivers are based on 25G Ethernet IEEE 802.3cc standard. They are compliant with SFF-8402, SFF-8432 and SFF-8472, providing a fast and reliable interface for 25G Ethernet applications. The product implements digital diagnostics via a 2-wire serial bus and is compliant with the SFF-8472 standard.

Product Features

- Operating data rate support 24.3Gbps to 26.5Gbps
- Compliant with IEEE 802.3cc
- Compliant with SFF-8402
- Compliant with SFF-8432
- Compliant with SFF-8472
- Internal CDR on both Transmitter and Receiver channel
- Hot-pluggable SFP28 footprint
- CWDM DFB laser transmitter and PIN PD Receiver
- Duplex LC connector
- Built-in digital diagnostic functions
- Up to 10km on SMF
- Single power supply 3.3V
- RoHS Compliant
- Operating temperature range (Case Temperature) : C Grade 0°C to 70°C
E Grade -20°C to 85°C

Applications

- 25GBASE-LR Ethernet
- CPRI and eCPRI Wireless Networks

Ordering Information

Part Number	Product ID	Description	Bail Color
SFP-25G-CW27-LR-C-GEN	M600708W1270	25GBASE CWDM 1270nm, LC Connectors 10km on SMF, Commercial Temperature	Dark blue Refles blueC half color code
SFP-25G-CW29-LR-C-GEN	M600708W1290	25GBASE CWDM 1290nm, LC Connectors 10km on SMF, Commercial Temperature	Orange 719C half color code
SFP-25G-CW31-LR-C-GEN	M600708W1310	25GBASE CWDM 1310nm, LC Connectors 10km on SMF, Commercial Temperature	Green 326C half color code
SFP-25G-CW33-LR-C-GEN	M600708W1330	25GBASE CWDM 1330nm, LC Connectors 10km on SMF, Commercial Temperature	Dark blue ReflesblueC full color scale
SFP-25G-CW35-LR-C-GEN	M600708W1350	25GBASE CWDM 1350nm, LC Connectors 10km on SMF, Commercial Temperature	Orange 719C full color scale
SFP-25G-CW37-LR-C-GEN	M600708W1370	25GBASE CWDM 1370nm, LC Connectors 10km on SMF, Commercial Temperature	Green 326C full color code
SFP-25G-CW27-LR-E-GEN	M600707W1270	25GBASE CWDM 1270nm, LC Connectors 10km on SMF, Extended Temperature	Dark blue ReflesblueC half color scale
SFP-25G-CW29-LR-E-GEN	M600707W1290	25GBASE CWDM 1290nm, LC Connectors 10km on SMF, Extended Temperature	Orange 719C half color code
SFP-25G-CW31-LR-E-GEN	M600707W1310	25GBASE CWDM 1310nm, LC Connectors 10km on SMF, Extended Temperature	Green 326C half color code
SFP-25G-CW33-LR-E-GEN	M600707W1330	25GBASE CWDM 1330nm, LC Connectors 10km on SMF, Extended Temperature	Dark blue ReflesblueC full color scale
SFP-25G-CW35-LR-E-GEN	M600707W1350	25GBASE CWDM 1350nm, LC Connectors 10km on SMF, Extended Temperature	Orange 719C full color scale
SFP-25G-CW37-LR-E-GEN	M600707W1370	25GBASE CWDM 1370nm, LC Connectors 10km on SMF, Extended Temperature	Green 326C full color code
<p>Notes :</p> <p>1.Product ID is the abbreviated order number of the standard model of our products</p>			
<p>For More Information: SONGXIN TAIPEI TECH SOLUTIONS CO., LTD. Web: www.songxin.com.tw Email: oversea@songxin.com.tw</p>			

General Specifications

Parameter	Symbol	Min	Typ	Max	Unit	Remarks
Data Rate	DR	24.3		26.5	Gb/s	1
Bit Error Rate	BER			5×10^{-5}		2
Operating Temperature	T _C	0		70	°C	3
		-20		85	°C	3
Storage Temperature	T _{STO}	-40		85	°C	4
Supply Current	I _{CC}		220	450	mA	5
Input Voltage	V _{CC}	3.14	3.3	3.46	V	
Maximum Voltage	V _{MAX}	-0.5		4	V	5

Notes:

1. IEEE 802.3cc
2. Measured with data rate at 25.78Gb/s, PRBS 2³¹-1
3. Case temperature
4. Ambient temperature
5. For electrical power interface

Link Distances

Data Rate	Fiber Type	Distance Range (km)	Remarks
25.78 Gb/s	9/125um SMF	10	1

Notes:

1. This module requires RS-FEC on the host ports for operation at 25G

Optical Characteristics – Transmitter**V_{CC}=3.14V to 3.46V, T_C**

Parameter	Symbol	Min	Typ	Max	Unit	Remarks
Output Optical Power	P _{TX}	1	4.5	7	dBm	1
Optical Center Wavelength	λ_c	$\lambda_c-6.5$	λ_c	$\lambda_c+6.5$	nm	2
Transmitter and Dispersion Penalty	TDP			2.7	dB	
Extinction Ratio	ER	3.5			dB	
Spectral Width (-20dB)	$\Delta\lambda$			1	nm	
Side Mode Suppression Ratio	SMSR	30			dB	
Transmitter Reflectance				-12	dB	
Launch Power of OFF Transmitter	P _{OUT_OFF}			-30	dBm	1

Notes:

1. Average, Normal temperature range: 2-6dBm
 $\lambda_c = 1271、1291、1311、1331、1351、1371$

Optical – Characteristics – Receiver**V_{CC}=3.14V to 3.46V, T_C**

Parameter	Symbol	Min	Typ	Max	Unit	Remarks
Optical Center Wavelength	λ_c	1260		1390	nm	
Receive Overload	P _{OL}	2			dBm	
Receiver Sensitivity@ 25.78Gb/s	R _{X_SEN}			-14	dBm	1
Receiver Reflectance	TR _{RX}			-26	dB	
LOS Assert	LOS _A	-30			dBm	
LOS De-Assert	LOS _D			-17	dBm	
LOS Hysteresis	LOS _H	0.5			dB	

Notes:

1. Average optical power, measured with data rate at 25.78Gb/s, PRBS 2³¹-1

Electrical Characteristics – Transmitter **$V_{CC}=3.14V$ to $3.46V, T_C$**

Parameter	Symbol	Min	Typ	Max	Unit	Remarks
Input differential impedance	R_{IN}		100		Ω	
Differential data input swing	V_{IN_PP}	250		900	mV	
Transmit Disable Voltage	V_D	2		V_{CC}	V	
Transmit Enable Voltage	V_{EN}	V_{EE}		$V_{EE}+0.8$	V	

Electrical – Characteristics – Receiver **$V_{CC}=3.14V$ to $3.46V, T_C$**

Parameter	Symbol	Min	Typ	Max	Unit	Remarks
Differential data output swing	V_{OUT_PP}	300		850	mV	
LOS Assert	V_{LOS_A}	2		V_{CC_HOST}	V	
LOS De-Assert	V_{LOS_D}	V_{EE}		$V_{EE}+0.8$	V	

A0H Register Description

IIC Addr	Size	Name	Description	Values(HEX)
0	1	Identifier	SFP/SFP+/SFP28	03
1	1	Extended Identifier	Use IIC interface	04
2	1	Connector	Connector Type = LC	07
3-10	8	Transceiver	25G Base LR	00 00 00 00 00 00 00 00
11	1	Encoding	Encoding Type = NRZ	03
12	1	BR, Nominal	Nominal Bit Rate 25.78Gb/s	FF
13	1	Rate Identifier	Without rate selection function	00
14	1	Length(9μm)-km	Link Length / SMF = 10km	0A
15	1	Length (9μm)-100m	Link Length / SMF = 10km	64
16	1	Length (50μm)-10m	50μm MMF Link Length = N/A	00
17	1	Length (62.5μm)-10m	62.5μm MMF Link Length = N/A	00
18	1	Length (Copper)	Copper Link Length = N/A	00
19	1	Reserved	Reserved	00
20-35	16	Vendor name	SONGXIN	4D 4F 44 55 4C 45 54 45 4B 20 20 20 20 20 20 20
36	1	Transceiver	25G Base LR	03
37-39	3	Vendor OUI	Without vendor OUI	00 00 00
40-55	16	Vendor PN	Part number in the Ordering Information	Programmed by Factory
56-59	4	Vendor Revision Number	Manufacturer product version number	Programmed by Factory
60-61	2	Wavelength	Laser Wavelength	Programmed by Factory
62	1	Reserved	Reserved	00
63	1	CC_BASE	Checksum of bytes 0-62	Programmed by Factory
64-65	2	Transceiver Options	1.Internal CDR 2.Rx_LOS 3.Tx_FAULT 4.Tx_DIS	08 1A
66	1	BR, max	103% for 25.78Gbit/s	67
67	1	BR, min	NA	00
68-83	16	Vendor SN	Manufacturer serial number	Programmed by Factory
84-91	8	Date code	Date code	Programmed by Factory
92	1	Monitoring Type	Internal calibration of DOM RxPower measurement using average optical power	68
93	1	Enhanced Options	1.Monitor Alarm and Warning of TxPower and RxPower 2.Tx_DIS Monitor and Control 3.Rx_LOS Monitor 4.Tx_FAULT Monitor	F0
94	1	Compliance	Revision Implemented	08
95	1	CC_EXT	Check sum of bytes 64-94	Programmed by Factory
96-127	32	Vendor Specific	Vendor Specific Area	Programmed by Factory
128-255	128	Vendor Specific	Vendor Specific Area	Programmed by Factory

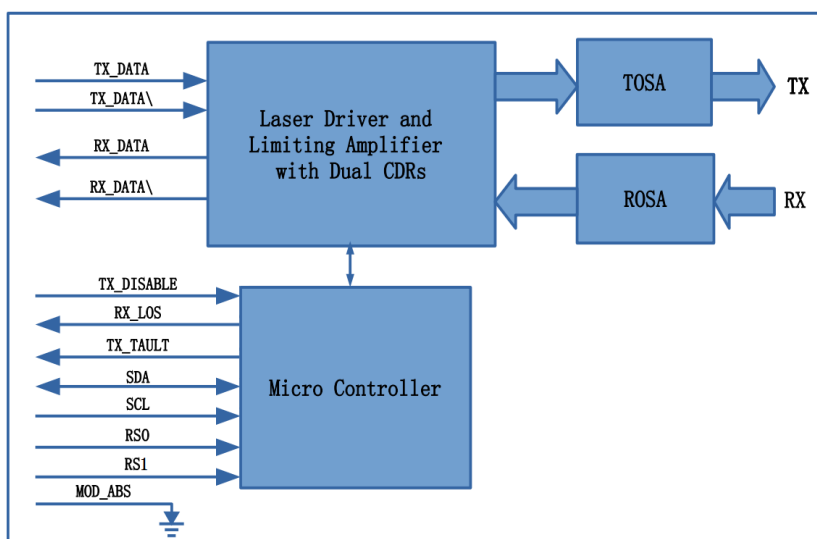
Digital Diagnostic Functions

SFP-25G-CWXX-LR-C-GEN supports the 2-wire serial communication protocol as defined in SFF-8472. Digital diagnostic information is accessible over the 2-wire interface at the address 0xA2. Digital diagnostics for the transceiver are internally calibrated by default. A micro controller unit inside the transceiver gathers the monitoring information and reports the status of transceiver, such as Transceiver Temperature, Supply Power, TX bias current, TX output power and RX received optical power.

DDM Threshold Information

Parameter		Alarm Threshold		Warning Threshold	
		High Value	Low Value	High Value	Low Value
Temprature (°C)	C	90 (5A 00)	-10 (F6 00)	85 (55 00)	-5 (FB 00)
	E	95 (5F 00)	-30 (E2 00)	90 (5A 00)	-25 (E7 00)
Vcc (V)		3.63(8D CC)	2.97 (74 04)	3.46 (87 28)	3.13 (7A 44)
Bias (mA)		120 (EA 60)	2 (03 E8)	100 (C3 50)	4 (07 D0)
TxPower (dBm)		8.16 (FF FF)	-1.0 (1F 07)	8.0 (F6 77)	0.0 (27 10)
RxPower (dBm)		4.0 (62 1E)	-16.0 (00 FB)	3.0 (4D F0)	-15.0 (01 3C)

Block-Diagram-of-Transceiver



Functions Description

This transceiver consists of a microcontroller, integrated dualclock data recovery function (CDR) laser drive and limiting amplifier, and a Transmitter and a Receiver.

The microcontroller communicates with the host via a 2-wire serial communication interface, providing module control, status reporting and monitoring functions (DOM). This product Compliant with SFF-8472.

The laser driver amplifies the high-speed differential signal recovered from the TX CDR, and drives the laser to generate an optical signal, and maintains the stability of the transmitted optical power through an automatic optical power control feedback loop.

The limiting amplifier amplifies the electrical signal converted by the light receiving component, and outputs the fixed frequency signal to the RX CDR. At the same time, the limiting amplifier detects the amplitude of the electrical signal converted by the light receiving component, and if it is lower than the set threshold, it reports that the received signal is lost, and raise the RX_LOS pin level on the gold finger. LOS signal is only related to the amplitude of the electrical signal, not to the signal rate and whether the CDR is locked or not.

The transmitter of the transceiver adopts a TO-CAN structure, and is composed of a DFB laser and a monitoring photodiode(MPD). The laser generates a corresponding optical signal according to a bias current and a modulation current provided by the laser driver, and the MPD will continuously monitor the TX power.

The Receiver of the transceiver also uses a TO-CAN structure, including a PIN photodetector(PIN PD) and a trans-impedance amplifier(TIA). When ROSA detects the incident light signal, it will be converted into photo-generated current by the PIN PD. The photo-generated current is converted into an electrical signal through the TIA and input to the limiting amplifier.

After the module is powered on, the read value of the security level access registers 7BH ~ 7EH of A2H is replaced with 0x00. After the content of this group of registers is updated, the read value is the last written value. The security level 1 password of this module is 0x00000000. The method to enter the security level 1 working state is to convert and write the security level 1 password in the A2H 7BH ~ 7EH registers of the module, namely 0x00, 0x00, 0x00, 0x00. After entering the security level 1 working state, the user can directly write to the content of the A0H device address, or modify the content of the A2H 7FH table selection register to write to the contents of Table 00 or Table 01. And this version supports the user to modify the security level 1 password. The modification method is: the module is in the security level 1 state, write 0x10 in the A2H 7FH register, and then write the password to be set in the A2H 88H-8BH register in order. The size of password is four bytes.

The transceiver only supports high data rates 24.33G/25.78G(CPRI options 10/25GbE). At this rate, the transmitter and receiver CDRs will lock, beyond this rate, the CDRs will loss of lock and the link will not work.

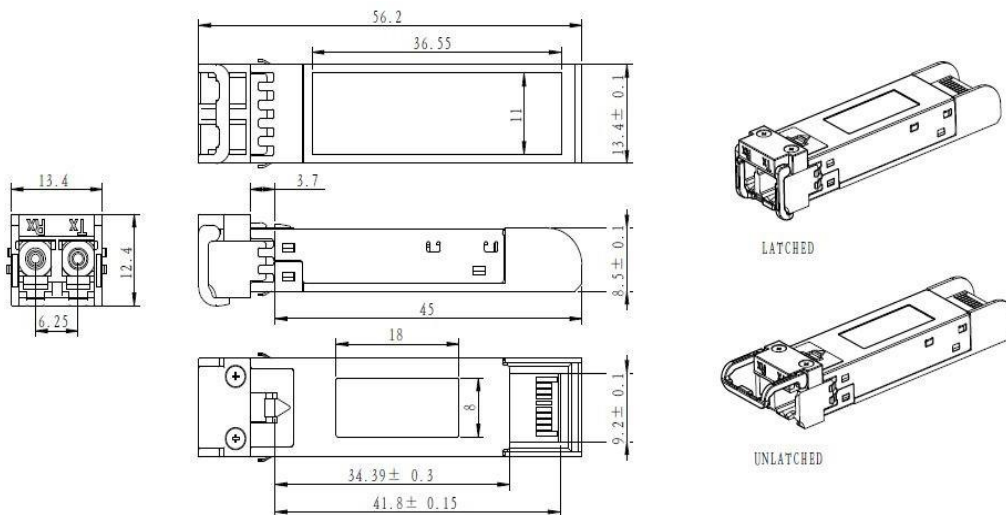
We can provide different CDR configurations for different applications, such as 10G/25G dual-rate application, full-rate CDR bypass application and so on. For more details, please contact our sales.

Product Weight

Net weight of module : 18.0g/pcs

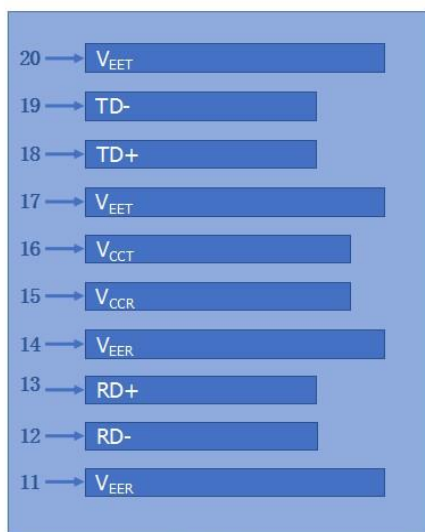
Net weight of dust cap : 0.95g/pcs

Dimensions

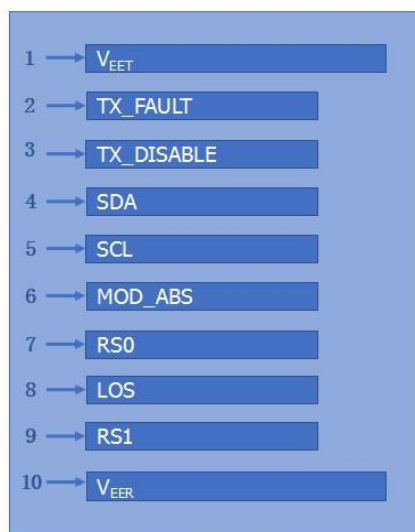


ALL DIMENSIONS ARE ± 0.2 mm UNLESS OTHERWISE SPECIFIED
UNIT: mm

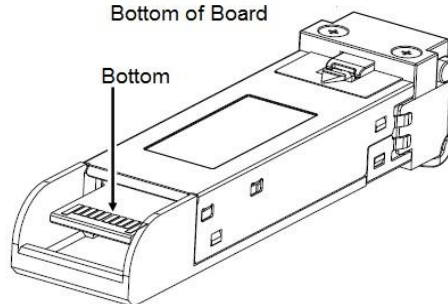
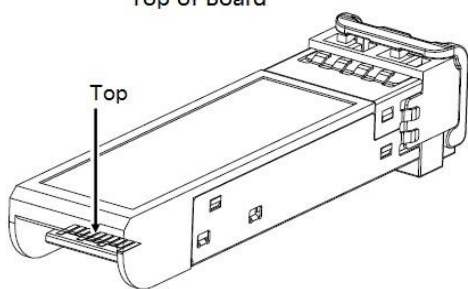
Electrical Pad Layout



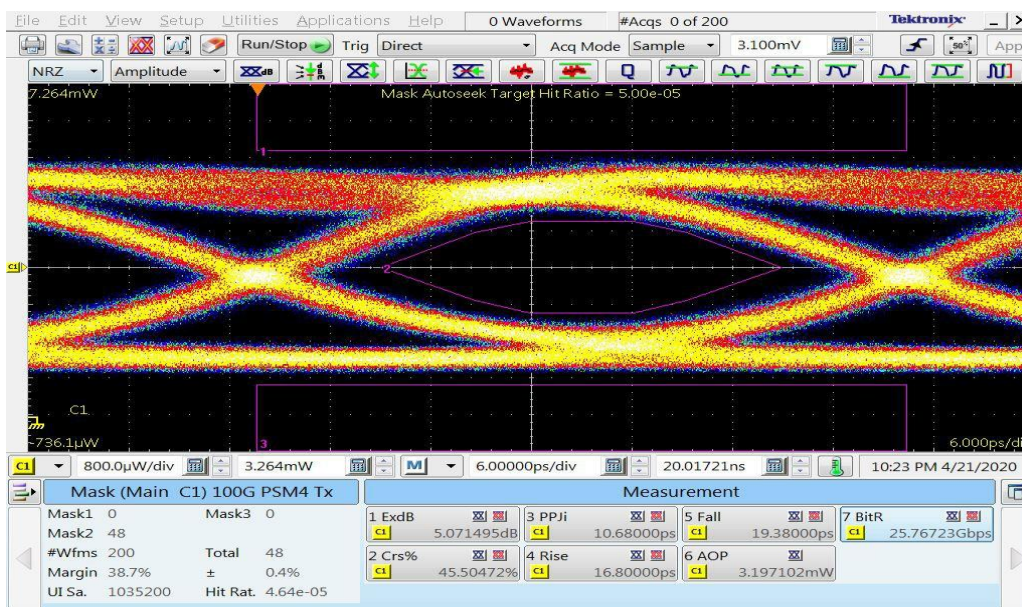
Top of Board



Bottom of Board



Typical Eye Diagram



Pin Assignment

PIN #	Symbol	Description	Remarks
1	V _{EET}	Transmitter ground (common with receiver ground)	1
2	TX_FAULT	Transmitter Fault	2
3	TX_DISABLE	Transmitter Disable. Laser output disabled on high or open	3
4	SDA	2-wire Serial Interface Data Line	4
5	SCL	2-wire Serial Interface Clock Line	4
6	MOD_ABS	Module Absent. Grounded within the module	4
7	RS0	No connection required	
8	LOS	Loss of Signal indication. Logic 0 indicates normal operation	5
9	RS1	No connection required	1
10	V _{EER}	Receiver ground (common with transmitter ground)	1
11	V _{EER}	Receiver ground (common with transmitter ground)	1
12	RD-	Receiver Inverted DATA out. AC coupled	
13	RD+	Receiver Non-inverted DATA out. AC coupled	
14	V _{EER}	Receiver ground (common with transmitter ground)	1
15	V _{CCR}	Receiver power supply	
16	V _{CCT}	Transmitter power supply	
17	V _{EET}	Transmitter ground (common with receiver ground)	1
18	TD+	Transmitter Non-Inverted DATA in. AC coupled	
19	TD-	Transmitter Inverted DATA in. AC coupled	
20	V _{EET}	Transmitter ground (common with receiver ground)	1

Notes:

1. Circuit ground is isolated from chassis ground
2. TX_FAULT is the open collector output and should be pulled up with 4.7k-10k ohm on host board to a voltage between 2V and V_{cc}+0.3V
3. Disabled: T_{DIS}>2V or open, Enabled: T_{DIS}<0.8V
4. Should be pulled up with 4.7k - 10k ohm on host board to a voltage between 2V and V_{cc} + 0.3V
5. LOS is open collector output and should be pulled up with 4.7k - 10k ohm on host board to a voltage between 2V and V_{cc}+0.3V, the logic "0" indicates normal operation, and the logic "1" indicates that the receiver signal is lost.

References

1. Specification for SFP+ 1X 28Gbps Pluggable Transceiver Solution - SFF-8402.
2. Specification for SFP+ Module and Cage - SFF-8432.
3. Specification for Diagnostic Monitoring Interface for SFP+ - SFF-8472.