

DATA SHEET

SFP-10G-DWXX-ER-C-GEN

10 Gigabit DWDM 40km SFP+ Transceiver

SFP-10G-DWXX-ER-C-GEN Overview

SFP-10G-DWXX-ER-C-GEN DWDM SFP+ optical transceivers are based on 10G Ethernet and SFF-8431 standard, providing a fast and reliable interface for 10G DWDM applications. The product implements digital diagnostics via a 2-wire serial bus, compliant with the SFF-8472 standard.

Product Features

- Up to 11.3 Gb/s bi-directional data links
- Compliant with IEEE 802.3ae 10GBASE-ER/EW
- Compliant with 10GFC
- Compliant with SFF-8431
- Hot-pluggable SFP+ footprint
- Temperature-stabilized EML laser in DWDM wavelength and Receiver with PIN
- 100GHz ITU Grid, C Band
- Duplex LC connector
- Built-in digital diagnostic functions
- Up to 40km on SMF
- Single power supply 3.3V
- Low power consumption (Module work consumption <1.5W)
- RoHS Compliant
- Operating temperature range: 0°C to 70°C

Applications

- 10G Ethernet
- 10G SONET/SDH
- 4x, 8x and 10x Fibre Channel
- OTN G.709 OUT 1e/2/2e FEC bit rates
- CPRI option 2 through 8

Ordering Information

Part Number	Description	Color on Clasp
SFP-10G-DWXX-ER-C-GEN	10 Gigabit DWDM SFP+ Transceiver, Single Mode Fiber 40km (ITU 100GHz Grid)	Red
For More Information: SONGXIN TAIPEI TECH SOLUTIONS CO., LTD. Web: www.songxin.com.tw Email: oversea@songxin.com.tw		

Product Selection

Product number	Description	ITU channel
SFP-10G-DW18-ER-C-GEN	10GBASE-DWDM 40km, 1563.05 nm SFP+	C18
SFP-10G-DW19-ER-C-GEN	10GBASE-DWDM 40km, 1562.23 nm SFP+	C19
SFP-10G-DW20-ER-C-GEN	10GBASE-DWDM 40km, 1561.42 nm SFP+	C20
SFP-10G-DW21-ER-C-GEN	10GBASE-DWDM 40km, 1560.61 nm SFP+	C21
SFP-10G-DW22-ER-C-GEN	10GBASE-DWDM 40km, 1559.79 nm SFP+	C22
SFP-10G-DW23-ER-C-GEN	10GBASE-DWDM 40km, 1558.98 nm SFP+	C23
SFP-10G-DW24-ER-C-GEN	10GBASE-DWDM 40km, 1558.17 nm SFP+	C24
SFP-10G-DW25-ER-C-GEN	10GBASE-DWDM 40km, 1557.36 nm SFP+	C25
SFP-10G-DW26-ER-C-GEN	10GBASE-DWDM 40km, 1556.55 nm SFP+	C26
SFP-10G-DW27-ER-C-GEN	10GBASE-DWDM 40km, 1555.75 nm SFP+	C27
SFP-10G-DW28-ER-C-GEN	10GBASE-DWDM 40km, 1554.94 nm SFP+	C28
SFP-10G-DW29-ER-C-GEN	10GBASE-DWDM 40km, 1554.13 nm SFP+	C29
SFP-10G-DW30-ER-C-GEN	10GBASE-DWDM 40km, 1553.33 nm SFP+	C30
SFP-10G-DW31-ER-C-GEN	10GBASE-DWDM 40km, 1552.52 nm SFP+	C31
SFP-10G-DW32-ER-C-GEN	10GBASE-DWDM 40km, 1551.72 nm SFP+	C32
SFP-10G-DW33-ER-C-GEN	10GBASE-DWDM 40km, 1550.92 nm SFP+	C33
SFP-10G-DW34-ER-C-GEN	10GBASE-DWDM 40km, 1550.12 nm SFP+	C34
SFP-10G-DW35-ER-C-GEN	10GBASE-DWDM 40km, 1549.32 nm SFP+	C35
SFP-10G-DW36-ER-C-GEN	10GBASE-DWDM 40km, 1548.51 nm SFP+	C36
SFP-10G-DW37-ER-C-GEN	10GBASE-DWDM 40km, 1547.72 nm SFP+	C37
SFP-10G-DW38-ER-C-GEN	10GBASE-DWDM 40km, 1546.92 nm SFP+	C38
SFP-10G-DW39-ER-C-GEN	10GBASE-DWDM 40km, 1546.12 nm SFP+	C39
SFP-10G-DW40-ER-C-GEN	10GBASE-DWDM 40km, 1545.32 nm SFP+	C40
SFP-10G-DW41-ER-C-GEN	10GBASE-DWDM 40km, 1544.53 nm SFP+	C41
SFP-10G-DW42-ER-C-GEN	10GBASE-DWDM 40km, 1543.73 nm SFP+	C42

SFP-10G-DW43-ER-C-GEN	10GBASE-DWDM 40km,1542.94 nm SFP+	C43
SFP-10G-DW44-ER-C-GEN	10GBASE-DWDM 40km,1542.14 nm SFP+	C44
SFP-10G-DW45-ER-C-GEN	10GBASE-DWDM 40km,1541.35 nm SFP+	C45
SFP-10G-DW46-ER-C-GEN	10GBASE-DWDM 40km,1540.56 nm SFP+	C46
SFP-10G-DW47-ER-C-GEN	10GBASE-DWDM 40km,1539.77 nm SFP+	C47
SFP-10G-DW48-ER-C-GEN	10GBASE-DWDM 40km,1538.98 nm SFP+	C48
SFP-10G-DW49-ER-C-GEN	10GBASE-DWDM 40km,1538.19 nm SFP+	C49
SFP-10G-DW50-ER-C-GEN	10GBASE-DWDM 40km,1537.40 nm SFP+	C50
SFP-10G-DW51-ER-C-GEN	10GBASE-DWDM 40km,1536.61 nm SFP+	C51
SFP-10G-DW52-ER-C-GEN	10GBASE-DWDM 40km,1535.82 nm SFP+	C52
SFP-10G-DW53-ER-C-GEN	10GBASE-DWDM 40km,1535.04 nm SFP+	C53
SFP-10G-DW54-ER-C-GEN	10GBASE-DWDM 40km,1534.25 nm SFP+	C54
SFP-10G-DW55-ER-C-GEN	10GBASE-DWDM 40km,1533.47 nm SFP+	C55
SFP-10G-DW56-ER-C-GEN	10GBASE-DWDM 40km,1532.68 nm SFP+	C56
SFP-10G-DW57-ER-C-GEN	10GBASE-DWDM 40km,1531.90 nm SFP+	C57
SFP-10G-DW58-ER-C-GEN	10GBASE-DWDM 40km,1531.12 nm SFP+	C58
SFP-10G-DW59-ER-C-GEN	10GBASE-DWDM 40km,1530.33 nm SFP+	C59
SFP-10G-DW60-ER-C-GEN	10GBASE-DWDM 40km,1529.55 nm SFP+	C60
SFP-10G-DW61-ER-C-GEN	10GBASE-DWDM 40km,1528.77 nm SFP+	C61

General Specifications

Parameter	Symbol	Min	Typ	Max	Unit	Remarks
Data Rate	DR	1.2	10.3125	11.3	Gb/s	1
Bit Error Rate	BER			10^{-12}		
Operating Temperature	T _c	0		70	°C	2
Storage Temperature	T _{STO}	-40		85	°C	3
Supply Current	I _{CC}		400	450	mA	4
Input Voltage	V _{CC}	3.14	3.3	3.46	V	
Maximum Voltage	V _{MAX}	-0.5		4	V	4

Notes:

1. IEEE 802.3ae
2. Case temperature
3. Ambient temperature
4. For electrical power interface

Link Distances

Data Rate	Fiber Type	Distance Range (km)
1.2–11.3 Gb/s	9/125um SMF	40

Optical–Characteristics–Transmitter

$V_{CC}=3.14V$ to $3.46V$, $T_C=0^{\circ}C$ to $70^{\circ}C$

Parameter	Symbol	Min	Typ	Max	Unit	Remarks
Output Optical Power	P_{TX}	-4		4	dBm	1
Optical Center Wavelength	λ_c	$\lambda_c-0.1$	λ_c	$\lambda_c+0.1$		2
Extinction Ratio	ER	8.2			dB	
Spectral Width (-20dB)	$\Delta\lambda$			0.6	nm	
Side Mode Suppression Ratio	SMSR	30			dB	
Relative Intensity Noise	RIN			-128	dB/Hz	
Transmitter Dispersion Penalty	TDP			2	dB	
Launch Power of OFF Transmitter	P_{OUT_OFF}			-30	dBm	1

Notes:

1. Average
2. λ = specified ITU Grid wavelength

Optical – Characteristics – Receiver

$V_{CC}=3.14V$ to $3.46V$, $T_C=0^{\circ}C$ to $70^{\circ}C$

Parameter	Symbol	Min	Typ	Max	Unit	Remarks
Optical Center Wavelength	λ_c	1260		1600	nm	
Average Receive Power	P_{RX}	-16		1	dBm	
Receiver Sensitivity @10.3Gb/s	R_{X_SEN}			-16	dBm	1
Receiver Reflectance	TR_{RX}			-27	dB	
LOS Assert	LOS_A	-25			dBm	
LOS De-Assert	LOS_D			-18	dBm	
LOS Hysteresis	LOS_H	0.5			dB	

Notes:

1. Measured with the PRBS 2³¹-1 test mode, BER < 10⁻¹² ;

Electrical – Characteristics – Transmitter

$V_{CC}=3.14V$ to $3.46V$, $T_C=0^{\circ}C$ to $70^{\circ}C$

Parameter	Symbol	Min	Typ	Max	Unit	Remarks
Input differential impedance	R_{IN}		100		Ω	
Differential data input swing	$V_{IN PP}$	300		850	mV	
Transmit Disable Voltage	V_D	2		V_{CC}	V	
Transmit Enable Voltage	V_{EN}	V_{EE}		$V_{EE}+0.8$	V	

Electrical – Characteristics – Receiver

$V_{CC}=3.14V$ to $3.46V$, $T_C=0^{\circ}C$ to $70^{\circ}C$

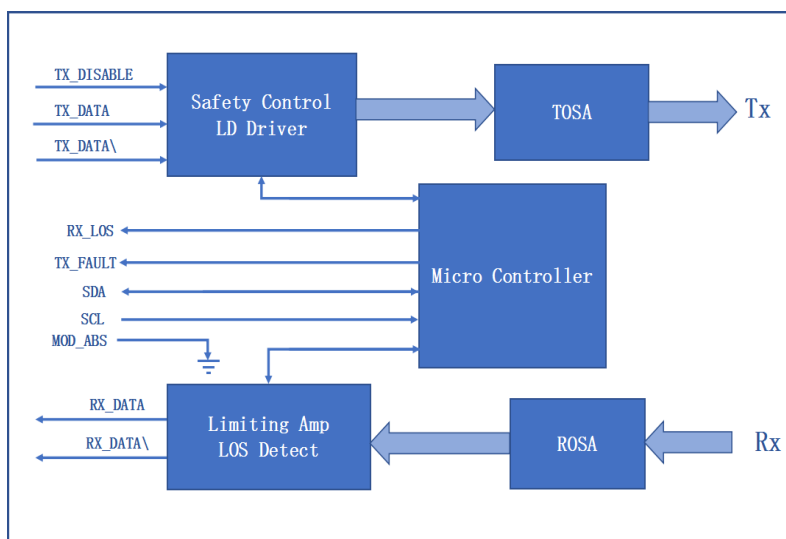
Parameter	Symbol	Min	Typ	Max	Unit	Remarks
Differential data output swing	$V_{OUT PP}$	300		850	mV	
Data output rise time/fall time (20%-80%)	t_r/t_f	28			ps	
LOS Fault	$V_{LOS A}$	2		$V_{CC HOST}$	V	
LOS Normal	$V_{LOS D}$	V_{EE}		$V_{EE}+0.5$	V	

Digital Diagnostic Functions

SFP-10G-DWXX-ER-C-GEN supports the 2-wire serial communication protocol as defined in SFF-8472. Digital diagnostic information is accessible over the 2-wire interface at the address 0xA2. Digital diagnostics for SFP-10G-DWXX-ER-C-GEN are internally calibrated by default. The internal micro control unit accesses the device operating parameters in real time, Such as transceiver temperature, laser bias current, transmitted optical power, received optical power and transceiver supply voltage. The module implements the alarm function of the SFF-8472, alerts the user when a particular operating parameter exceeds the factory-set normal range.

Digital Diagnostic Threshold Range					
Parameter	High Alarm	High Warning	Low Warning	Low Alarm	Remarks
Temperature ($^{\circ}C$)	75	70	0	-5	
Voltage (V)	3.63	3.46	3.13	2.97	
Bias Current (mA)	100	95	20	15	
Tx Power (μw)	3014.2	2511.8	316.2	252.9	
Rx Power (μw)	2000	1500	23.7	15.8	

Block-Diagram-of-Transceiver

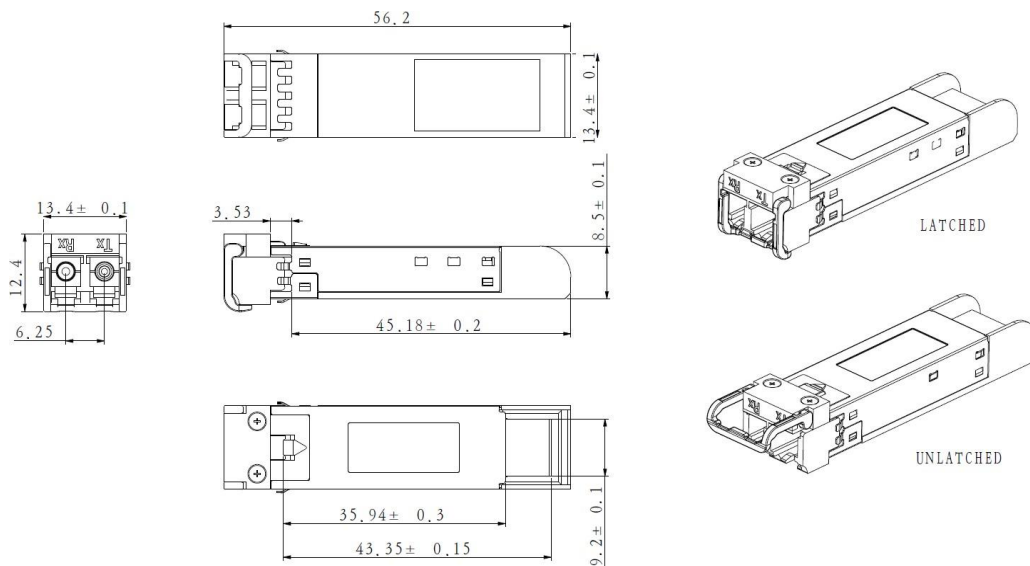


Functions Description

The transmitter consists of a laser driver chip and a TOSA (light-emitting component). The TOSA includes a DFB laser, an electroabsorption modulator (EAM), a TEC, and a backlight diode. Unlike DML, EML TOSA uses external modulation. When the transmission rate of the system is high, the transmission distance is not only limited by the attenuation of the optical fiber, but also by the dispersion of the optical fiber, and the dispersion of the optical communication system is related to the modulation spectral width. The directly modulated laser has a large dispersion cost, and has spectral broadening, frequency chirp, and short transmission distance, so the external modulation method is adopted in the medium-long-distance transmission at a rate of 10 Gb/s. TEC (Thermo Electric Cooler) Controls the temperature of the laser tube. When a temperature is set, the TOSA temperature of the module will remain unchanged through the control of the TEC. The wavelength of the module laser tube is related to the temperature of the laser tube. The module wavelength can be set by setting the TOSA temperature. When stable, the module has excellent wavelength stability. The electrical signal enters the optical module from the serial electrical interface and is then input to the laser driver chip. The laser driver chip supplies the bias current and the modulation current to the laser. The laser driver chip simultaneously uses an automatic optical power control (APC) feedback loop to maintain a constant average optical power of the laser output. The purpose is to eliminate the change of the output optical signal due to temperature changes and aging of the light source device. When the transmitter enable pin (TX_Disable) is high (TTL logic "1"), the laser output is turned off. When TX_Disable is low (TTL logic "0"), the laser will turn on within 1ms. When the transmitter fault signal (TX_Fault) is reported as high, indicates a transmitter failure caused by the transmitter's bias current or transmitted optical power or laser tube temperature exceeding a preset alarm threshold. Low indicates normal operation. The receiver consists of a ROSA (light-receiving component) and a limiting amplifier chip, ROSA includes a PIN photodetector and a transimpedance amplifier chip. The ROSA detects the incident optical signal, converts the optical signal into an electrical signal, and outputs the electrical signal to the

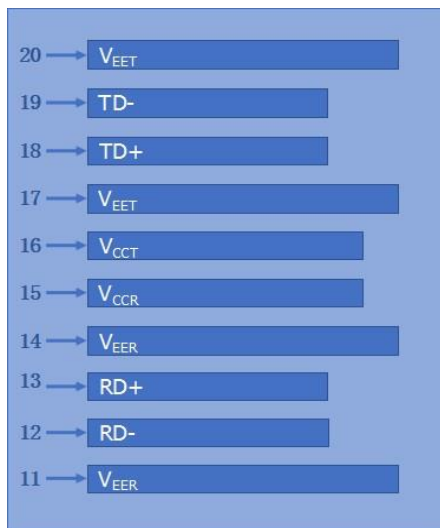
limiting amplifier. The electrical signal is further amplified by the limiting amplifier, then outputs a fixed-amplitude electrical signal to the host. When the amplitude of the electrical signal received from the incident light conversion of the opposite optical transceiver module is lower than the set threshold, the module reports that the received signal is lost, the RX_LOS pin is high (logic "1"), which can be used to diagnose whether the physical signal is normal. The signal is operated in TTL level. The microprocessor inside the module monitors the module's operating voltage, temperature, transmitted optical power, received optical power, and laser bias current value in real time. The host acquires this information over a 2-wire serial bus.

Dimensions

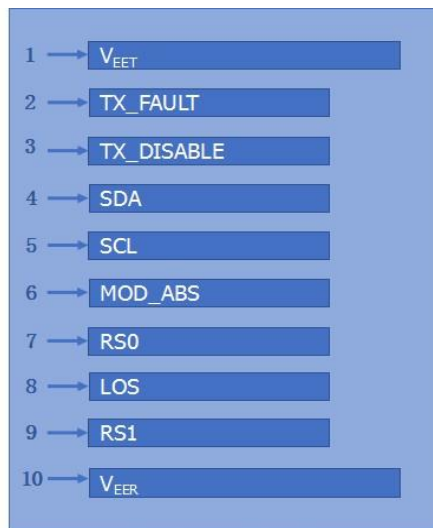
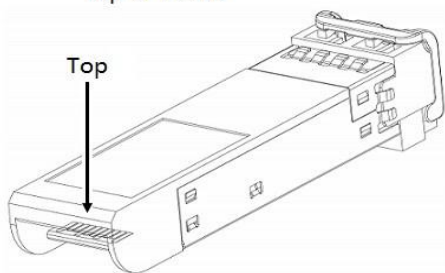


ALL DIMENSIONS ARE ± 0.2 mm UNLESS OTHERWISE SPECIFIED
UNIT: mm

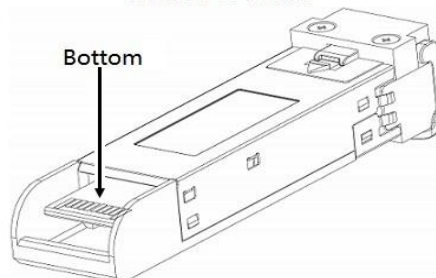
Electrical Pad Layout



Top of Board



Bottom of Board



Pin Assignment

PIN #	Symbol	Description	Remarks
1	V _{EET}	Transmitter ground (common with receiver ground)	1
2	TX_FAULT	Transmitter Fault.	
3	TX_DISABLE	Transmitter Disable. Laser output disabled on high or open	2
4	SDA	2-wire Serial Interface Data Line	3
5	SCL	2-wire Serial Interface Clock Line	3
6	MOD_ABS	Module Absent. Grounded within the module	3
7	RS0	Rate Select 0	
8	LOS	Loss of Signal indication. Logic 0 indicates normal operation	4
9	RS1	Rate Select 1	1
10	V _{EER}	Receiver ground (common with transmitter ground)	1
11	V _{EER}	Receiver ground (common with transmitter ground)	1
12	RD-	Receiver Inverted DATA out. AC coupled	
13	RD+	Receiver Non-inverted DATA out. AC coupled	
14	V _{EER}	Receiver ground (common with transmitter ground)	1
15	V _{CCR}	Receiver power supply	
16	V _{CCT}	Transmitter power supply	
17	V _{EET}	Transmitter ground (common with receiver ground)	1
18	TD+	Transmitter Non-Inverted DATA in. AC coupled	
19	TD-	Transmitter Inverted DATA in. AC coupled	
20	V _{EET}	Transmitter ground (common with receiver ground)	1

Notes:

- 1.Circuit ground is isolated from chassis ground
- 2.Disabled: T_{DIS}>2Vor open, Enabled: T_{DIS}<0.8V
- 3.Should Be pulled up with 4.7k - 10k ohm on host board to a voltage between 2V and 3.46V
- 4.LOS is open collector output

References

- 1.IEEE standard 802.3ae. IEEE Standard Department,2005.
2. [Enhanced 8.5 and 10 Gigabit Small Form Factor Pluggable Module “SFP+” – SFF-8431.](#)
3. [Digital Diagnostics Monitoring Interface for Optical Transceivers – SFF-8472.](#)