

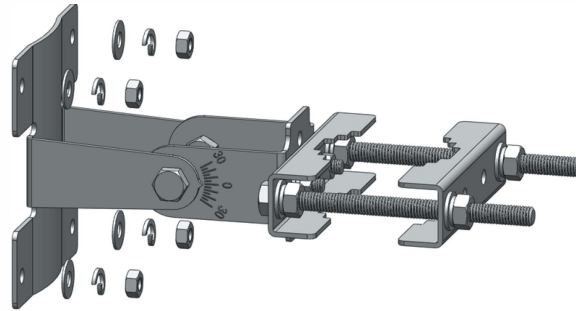
User's Manual For

4 x 4 MIMO Antenna



Installation Guide

1. Please remove the antenna from package box and check the accessories parts for assembly with pole mount.
2. Please make sure you have the mounting kits as Figure 1 shown.



Pole Mount Kits: 023580000-A/ 4-piece set of nut/flat washer/
spring washer Figure 1

3. Installation

3-1 Pole Mounting

Assembly the pole mount kits with antenna base with 4-piece set of M8 nuts/flat washers/spring washers as Figure 2 shown.

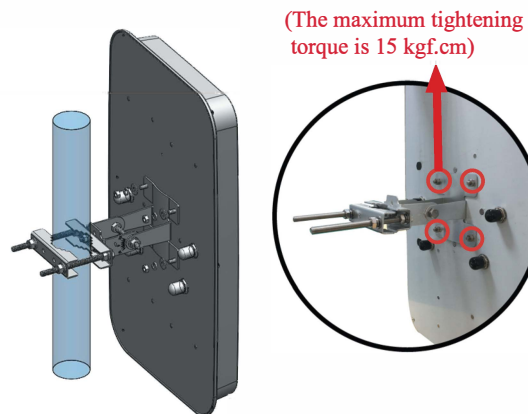


Figure 2

- 3-2 Install the Pole Mount Kit with Mast dia. 40~60 mm by loosen the M8 nut /bolt and adjust the direction by +/-30 degree that you need by loosen M8 nuts for final installation as Figure 3 shown.

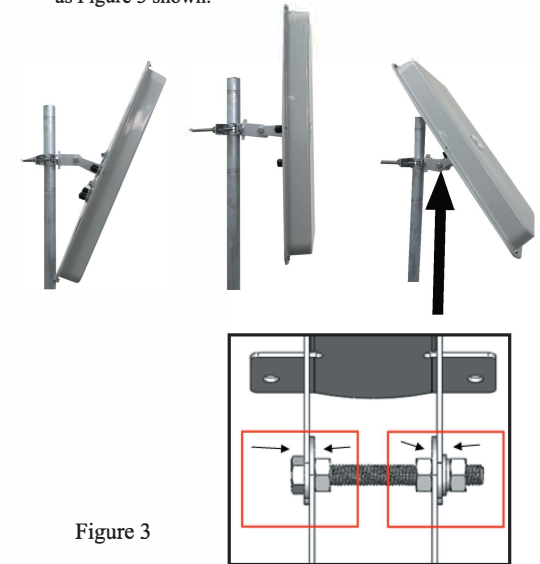


Figure 3

4. Complete Installation

You may need to have 4-piece extension cables to connect to the antenna and the other end with your CPE Router as Figure 4 shown.



⚠ Caution

- © The performance of the Antenna is related to the environments and its applications.
- © Place Antenna behind the cabinets or equipments will affect its performance.